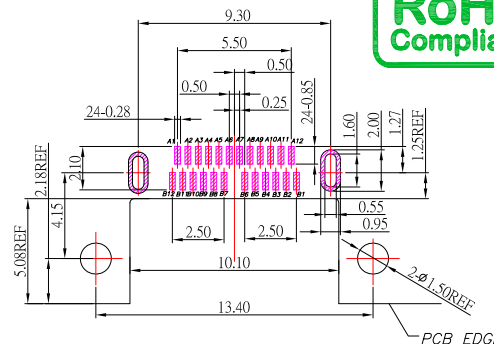
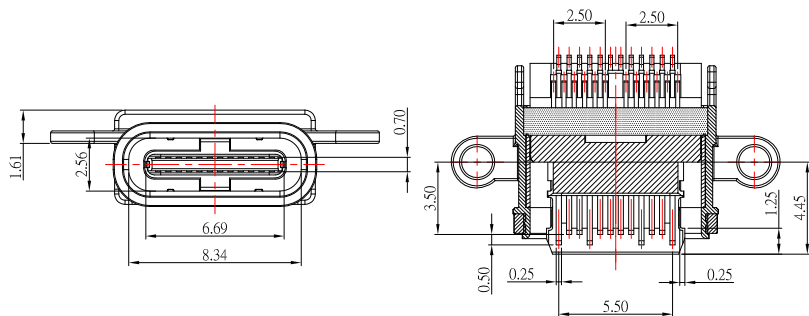
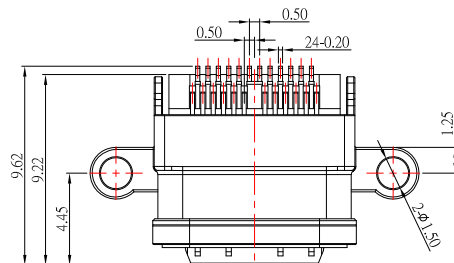
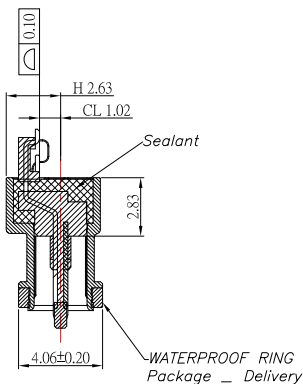
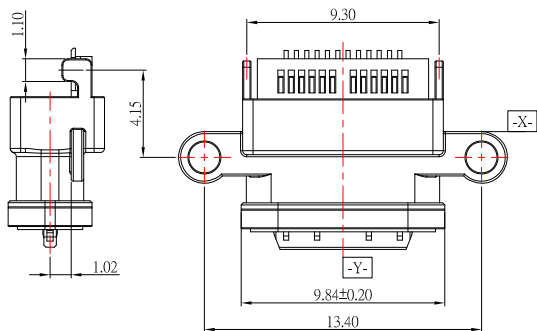
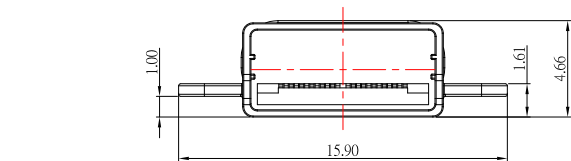




# SBC-WP240M4-31x-S338

鍍層厚度:

- Blank : 1u"
- 2 : 15u"
- 3 : 30u"



P.C.B LAYOUT MOUNTING PATTERN

## SPECIFICATIONS

### Electrical:

1. Rating: 3.0A , 5.0V
- 2.Contact Resistance: 40 mΩ Max
- 3.Insulation Resistance: 100 MΩ Min
- 4.Dielectric Withstanding Voltage: 100V AC

### Mechanical:

- 1.Connector Mate and Unmate Force
  - 1.1 Mate force: 5~20 N
  - 1.2 Unmate force: 8~20 N

### Material:

- 1.Housing: PA9T
- 2.Contact: C7025
- 3.Shell: SUS

### Finish:

- 1.Contact: Plated Gold in Mating Area ;  
Gold Plated on Solder Balls ;  
Nickel under plated overall
- 2.Shell: Nickel under Plated surface layer

USB TYPE-C FULL-FEATURED RECEPTACLE INTERFACE PIN ASSIGNMENTS					
PIN	Signal Name	Description	PIN	Signal Name	Description
A1	GND	Ground return	B12	GND	Ground return
A2	SSTxp1	Positive half of first SuperSpeed TX differential pair	B11	SSRxp1	Positive half of first SuperSpeed RX differential pair
A3	SSTxn1	Negative half of first SuperSpeed TX differential pair	B10	SSRxn1	Negative half of first SuperSpeed RX differential pair
A4	Ves	Bus Power	B9	VRES	Bus Power
A5	CC1	Configuration Channel	B8	SRE2	Sidband Use (SRU)
A6	Dn1	Positive half of the USB 2.0 differential pair=Position 1	B7	Dn2	Negative half of the USB 2.0 differential pair=Position 2
A7	Dn1	Negative half of the USB 2.0 differential pair=Position 1	B6	Dp2	Positive half of the USB 2.0 differential pair=Position 2
A8	SRU1	Sidband Use (SRU)	B5	CC2	Configuration Channel
A9	VRES	Bus Power	B4	VRES	Bus Power
A10	SSRx2	Negative half of second SuperSpeed RX differential pair	B3	SSTx2	Positive half of second SuperSpeed TX differential pair
A11	SSRx2	Positive half of second SuperSpeed RX differential pair	B2	SSTx2	Negative half of second SuperSpeed TX differential pair
A12	GND	Ground return	B1	GND	Ground return

**CONTACT** 建倚科技股份有限公司  
CONTACT TECHNOLOGY CORP.

TOLERANCE UNLESS OTHERWISE STATED:  
 Up to 5 ±0.2  
 Above 5 ~ 15 ±0.3  
 Above 15 ~ 30 ±0.4  
 Above 30 ~ 50 ±0.5  
 Angle ±0.3°

3RD. ANGEL'S



UNITS MM

DRAWN BY:	DATE	MAT'L	TITLE	CONNECTOR
Jack Lu	12/08/23			
CHECKED BY:	DATE	FINISH	MODLE	USB 3.1 TYPE C 沉板式防水型 CL1.02
Jacky Chen	12/08/23			
APPROVED BY:	DATE	SCALE	DWG NO.	SBC-WP240M4-31x-S338
Tony Kao	12/08/23	1 : 1	PART NO.	SBC-WP240M4-31x-S338
		SHEET NO.	1 of 2	SIZE A4
				VER R3

ITEM NO.	DESCRIPTION	DRAWN	DATE
3	更新材質	Jack	120823
2	更新PCB LAYOUT尺寸	Jack	032322
1	新增PCB LAYOUT尺寸和O-RING	Jack	032222

Shell panel

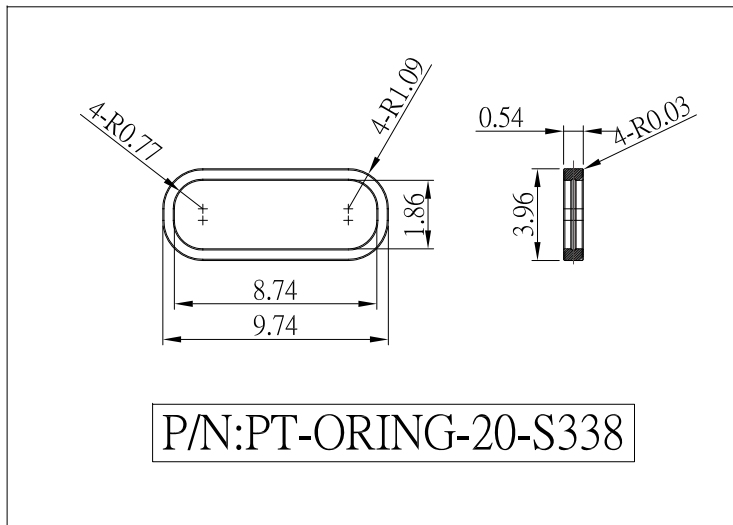
seal ring

PCB

Front and rear assembly mode

Shell panel to seal ring and reduction 0.55min  
(recommended compression is 40-50% of seal ring diameter)

Shell panel to seal ring and reduction 0.55min  
(recommended compression is 40-50% of seal ring diameter)



3	更新材質	Jack	120823
2	更新PCB LAYOUT尺寸	Jack	032322
1	新增PCB LAYOUT尺寸和O-RING	Jack	032222
ITEM NO.	DESCRIPTION	DRAWN	DATE

**CONTACT** 建倚科技股份有限公司  
CONTACT TECHNOLOGY CORP.

TOLERANCE UNLESS OTHERWISE STATED:  
 Up to 5 ±0.2  
 Above 5 ~ 15 ±0.3  
 Above 15 ~ 30 ±0.4  
 Above 30 ~ 50 ±0.5  
 Angle ±0.3°

3RD. ANGEL'S



UNITS MM

DRAWN BY:	DATE	MAT'L	TITLE	CONNECTOR
Jack Lu	12/08/23		MODLE	USB 3.1 TYPE C 沉板式防水型 CL1.02
CHECKED BY:	DATE	FINISH	DWG NO.	SBC-WP240M4-31x-S338
Jacky Chen	12/08/23	SCALE 1 : 1	PART NO.	SBC-WP240M4-31x-S338
APPROVED BY:	DATE	SHEET NO.	2 of 2	
Tony Kao	12/08/23			

SIZE A4  
VER R3